

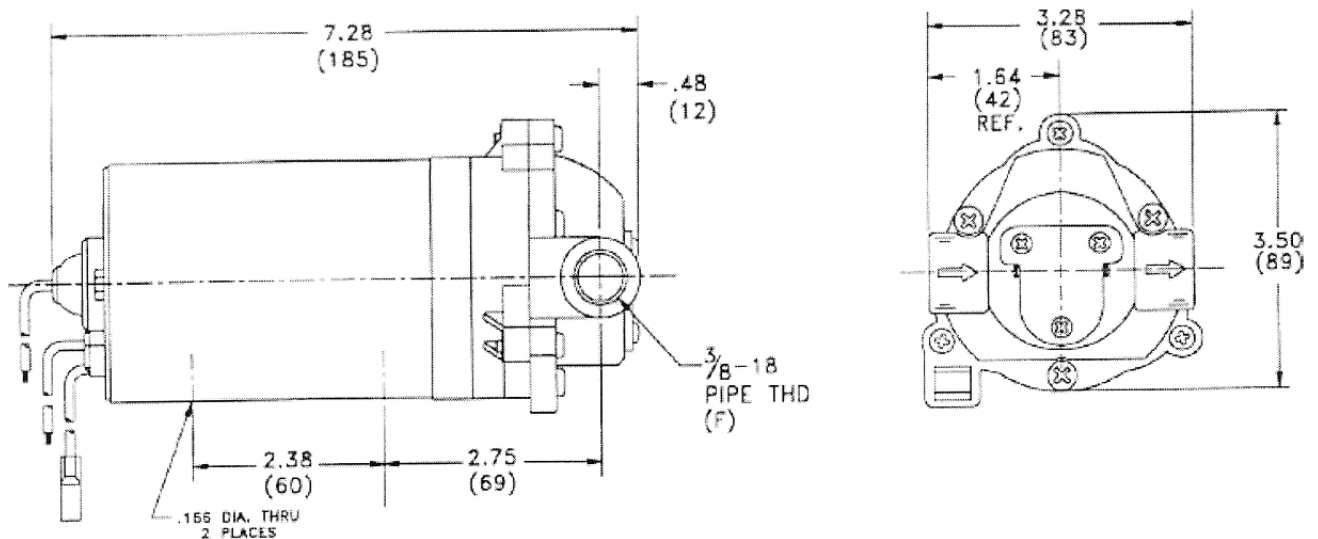
SHURflo®

MODEL: 8095-901-890

SPECIFICATIONS:

MODEL NUMBER: 8095-901-890
PUMP DESIGN: Positive displacement 3 chamber diaphragm
CAM: 2°
MOTOR: 11-160-10
VOLTAGE: 230 VAC
PRESSURE SWITCH:
LIQUID TEMPERATURE: 180°F (82°C)
PRIME: Self prime to 9 ft Vertical
PORTS: 3/8" -18 NPT Female
MATERIAL OF CONSTRUCTION:
 PLASTICS- Nylon
 VALVES- EPDM
 DIAPHRAGM- Santoprene
 FASTENERS- Zinc Plated Steel
NET WEIGHT: 4.5 Lbs (2.0 Kg)
DUTY CYCLE: (See Temperature Rise Chart)
TYPICAL APPLICATIONS:
BYPASS: 135 psi Max
APPROVALS:

DIMENSIONS:



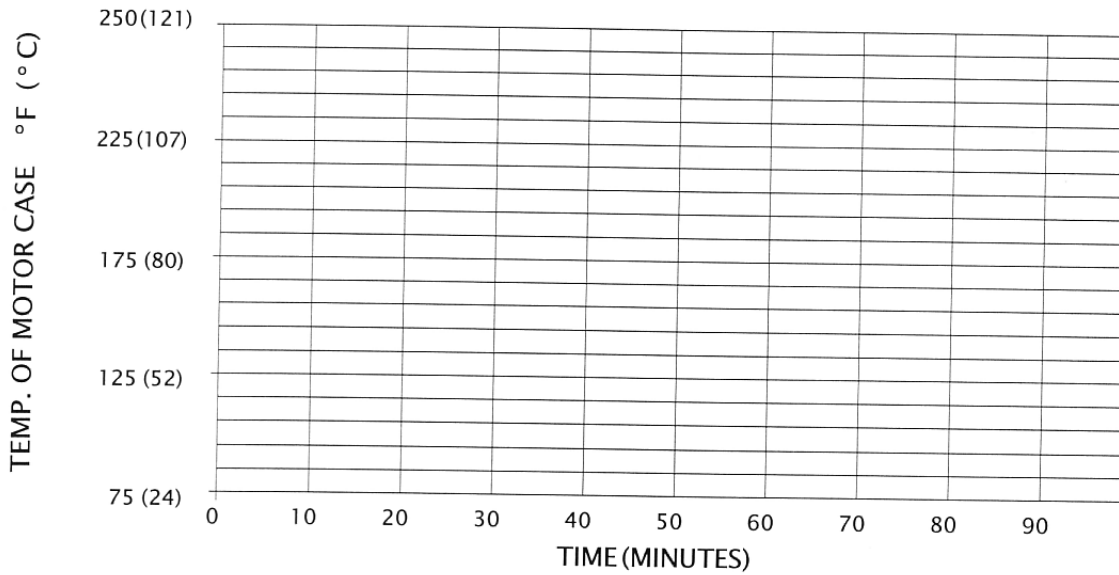
FILE#

REVISED:

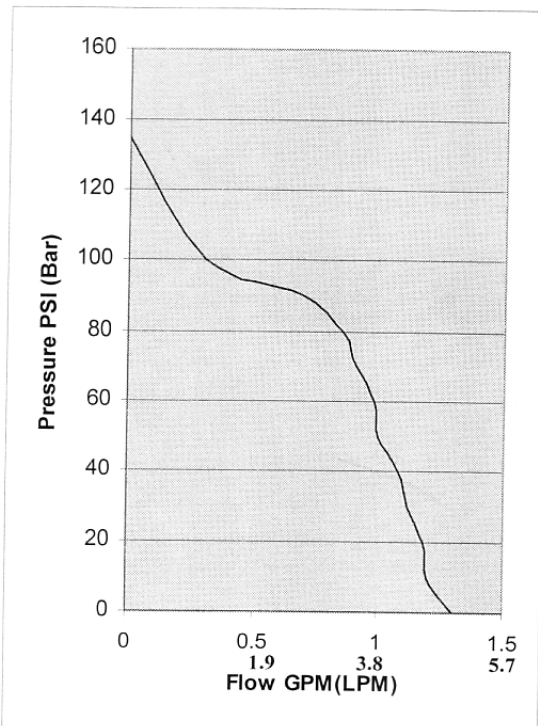
ISSUED:

MODEL: 8095-901-890
Provsional

TEMPERATURE RISE



TYPICAL PERFORMANCE



PRESSURE (PSI)	FLOW (GPM/LIT)	RPM MIN/MAX	CURRENT (AMPS)	VOLTAGE (VOLTS)
OPEN	1.2	4.56	2545/2580	230VAC
10	1.19	4.51	2465/2560	"
20	1.18	4.48	2415/2475	"
30	1.12	4.25	2335/2395	"
40	1.08	4.10	2260/2315	"
50	1.00	3.8	2190/2250	"
60	0.98	3.72	2115/2175	"
70	0.91	3.54	2050/2110	"
80	0.85	3.23	1990/2045	"
90	0.69	2.62	1865/1940	"
100	0.35	1.33	1740/1835	"
135	0.00			0.55

-SPECIFICATIONS SUBJECT TO CHANGE WITHOUT NOTICE.

-ALL DATA BASED ON TESTING WITH WATER AT AMBIENT TEMPERATURE.