



### APPLICATION

Multi-fixture adjustable bypass fresh water installations. Other uses may include pressurized water systems in cabins and general water transfer. Benefits include a heavy-duty, thermally protected, CE compliant sealed motor, adjustable bypass and a self-priming 4-chamber design. This pump has a unique co-molded diaphragm and can run dry without damage.

### PUMP DESIGN

**Type:** 4 Chamber Diaphragm pump  
**Ports:** ½"-14 NPSM-Male  
**Liquid:** 130°F [54°C] Max  
**Dry-Prime:** 6 feet [1.82 M]  
**Run Dry:** Yes  
**Inlet Pressure:** 30 PSI Max. [2.06 Bar]

### ELECTRICAL

**Motor:** 12V DC Permanent Magnet, Intermittent Duty  
**Protection:** Thermal Overload, Automatic Restart  
**Leads:** 14 AWG, 14 ¾" [37 cm] Red +, Black -  
**Fuse:** 20 Amp Recommended  
**Control:** Shut-Off: 55 PSI [3.8 Bar] ± 2 PSI [0.13 Bar]  
 Re-start: 40 PSI [2.8 Bar] ± 2 PSI [0.13 Bar]  
 By-Pass: 65 PSI [4.5 Bar] ± 2 PSI [0.13 Bar]

### MATERIALS OF CONSTRUCTION

**Housings:** Polypropylene  
**Valves/Seals:** EPDM  
**Diaphragm:** Santoprene/Polypropylene, Co-Molded  
**Hardware:** Stainless Steel and Zinc Plated Steel

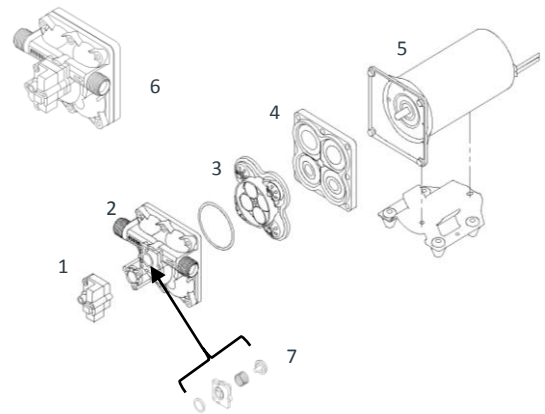
### AGENCY APPROVALS

Ignition Protection 8846, CE

### SHIPPING INFORMATION

**Net Weight:** 7.9 Pounds [3.5 Kg] ea.  
**Carton Qty.:** 6  
**Carton Weight:** 50 Lbs. [22.6 Kg]  
**Carton Size:** 24"L X 18"W X 6"H [61cm x 46cm x 15cm]

### REPAIR KITS



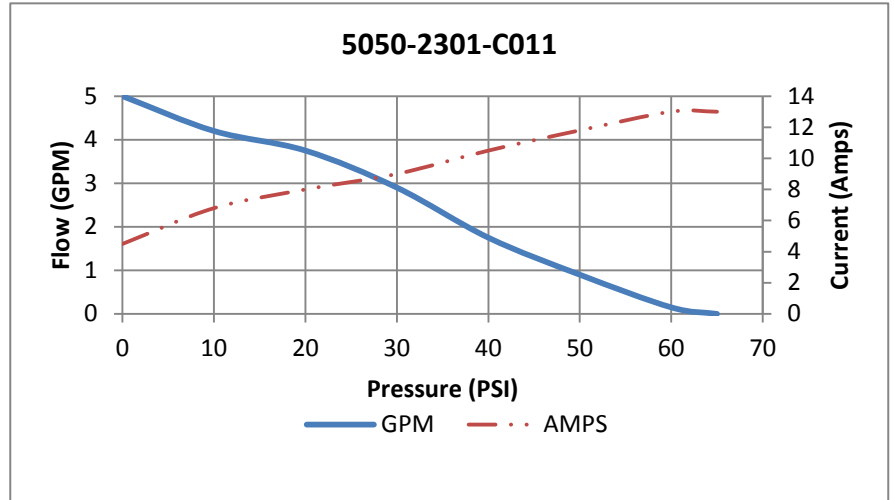
Number	Description	Part Number
1	Pressure Switch	N/A
1,2	Upper Assembly	94-801-10
3	Valve Assembly	94-800-01
4	Drive Assembly	94-801-02
5	Motor/Gasket	94-71-004-17
6 (1,2,3,4,7)	Pump Head	94-801-11
7	Check Valve	94-800-03

# SHURFLO® 5000 SERIES PUMPS

## \*PERFORMANCE

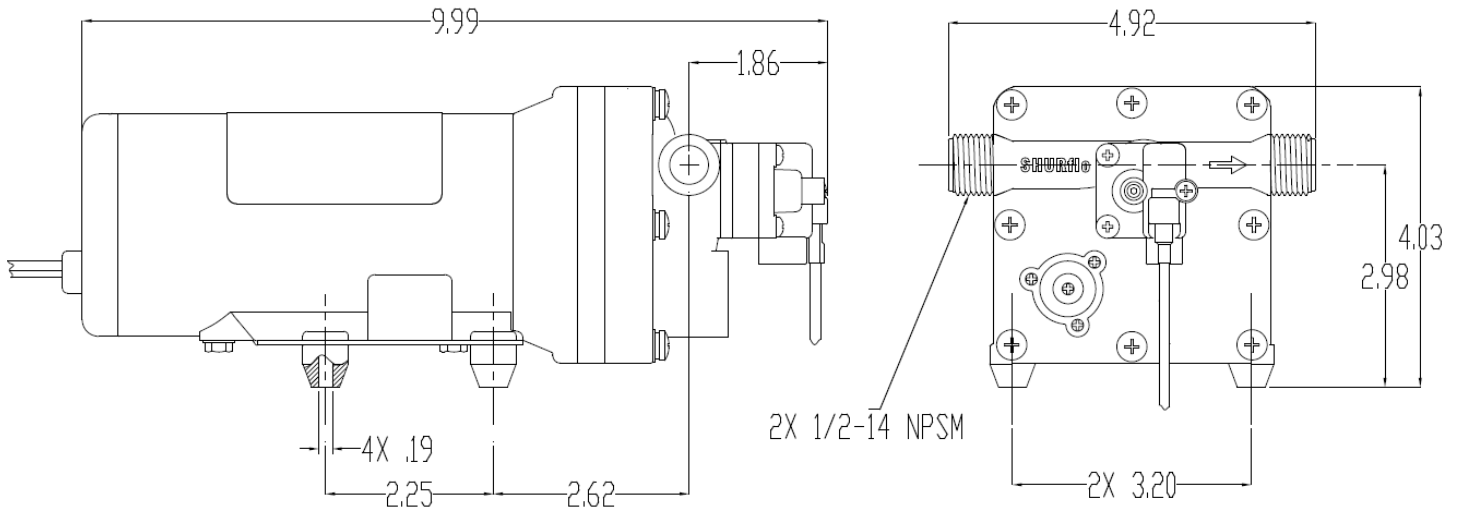
### TYPICAL PERFORMANCE AT 12V

PRESSURE		FLOW		CURRENT
BAR	PSI	GPM	LPM	AMPS
0	0	5.0	18.9	4.5
0.7	10	4.2	15.8	6.8
1.4	20	3.75	14.1	8.0
2.1	30	2.9	10.9	9.0
2.8	40	1.75	6.6	10.5
3.4	50	0.9	3.4	11.8
4.1	60	0.15	0.56	13.0
4.5	65	0	0	13.0



\*Typical Performance is for informational purposes only and can vary and should not be considered a design specification.

## DIMENSIONS



## WATER PURIFICATION

3545 Harbor Gateway South, Suite 103, Costa Mesa, CA 92626, (800) 854-3218 [www.Pentair.com](http://www.Pentair.com)

All Pentair trademarks and logos are owned by Pentair, Inc. All other brand or product names are trademarks or registered marks of their respective owners. Because we are continuously improving our products and services, Pentair reserves the right to change specifications without prior notice.

Pentair is an equal opportunity employer.

PDS-5050-2301-C011\_B 06/13 ©Pentair, Inc. All Rights Reserved