

**MODEL: 4111-035**

### SPECIFICATIONS:

**MODEL NUMBER:** 4111-035

**PUMP DESIGN:** Positive Displacement 3 Chamber Diaphragm Pump

**CHECK VALVE:** (1-Way Operation) Prevents Reverse Flow

**CAM:** 3.0 Degree

**MOTOR:** Permanent Magnet, P/N 11-253-06

**VOLTAGE:** 12 VDC Nominal

**PRESSURE SWITCH:** Splash Proof, Adjustable from 30 to 45 PSI (2.1 - 3.1 Bar).

Factory Set @ 42 PSI (2.9 Bar) Shut-Off; Turn-On 32 PSI  $\pm$ 5 PSI (2.2  $\pm$  .35 Bar)

**LIQUID TEMPERATURE:** 130 Degrees Fahrenheit (54°Centigrade) Max.

**PRIME:** Self-Priming Up To 7 Ft. (2.1 Meters) Vertical,  
Max. Inlet Pressure 30 PSI (2.1 Bar)

**PORTS:** 1/2"-14 Male Parallel Thread and 5/8" Manifolds (shown).

**MATERIAL OF CONSTRUCTION:**

**PLASTICS-** Polypropylene

**VALVES-** Viton

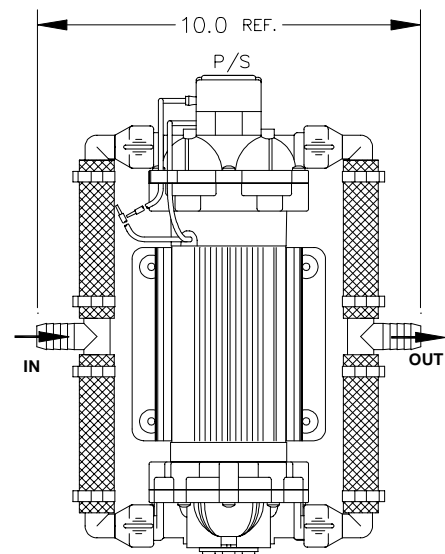
**DIAPHRAGM-** Santoprene

**FASTENERS-** Stainless Steel

**NET WEIGHT:** 7.89 Lbs (3.58 Kg)

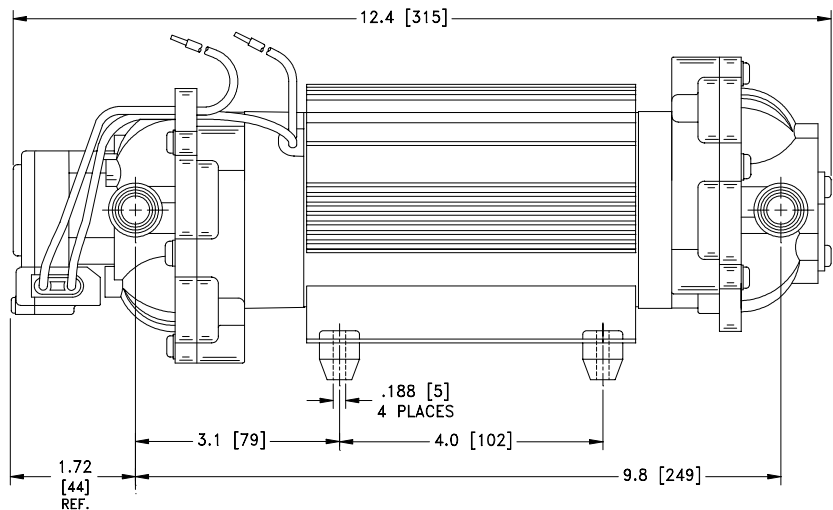
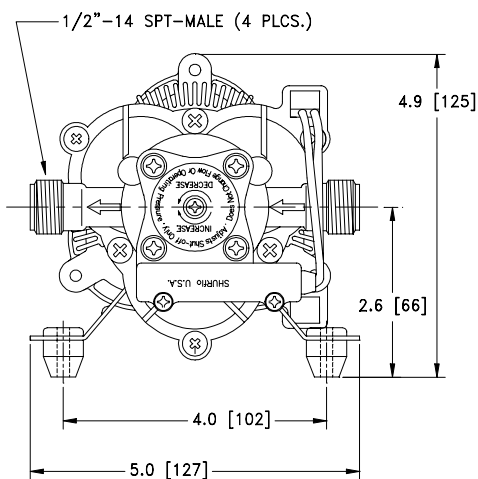
**DUTY CYCLE:** Intermittent (See Temperature Rise Chart)

**TYPICAL APPLICATIONS:** Agricultural Transfer/Sprayer

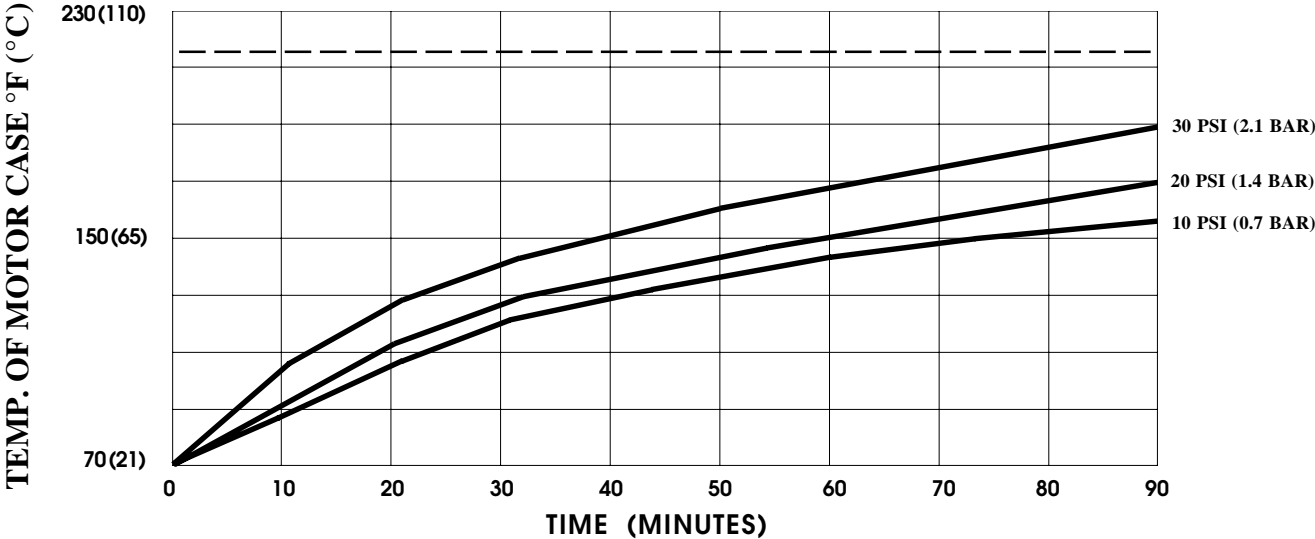


### DIMENSIONS:

Shown with manifolds  
removed Inches (mm)

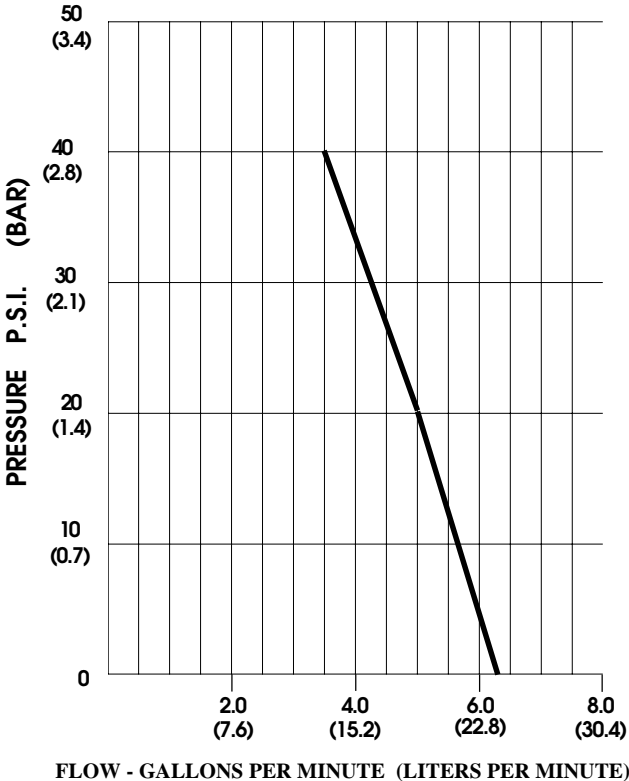


**TEMPERATURE RISE**



THIS GRAPH IS FOR USE AS A DESIGN GUIDE. IT IS BASED ON RUNNING CONTINUOUSLY WITH AN AMBIENT TEMPERATURE OF 70°F (21°C) IN STILL AIR. --- OPERATIONAL LIMIT.

**TYPICAL PERFORMANCE**



PRESSURE (PSI/BAR)	FLOW (GPM/LIT)	CURRENT (AMPS)	VOLTAGE (VOLTS)
OPEN	6.25/23.5	8.7	12 VDC
10/0.7	5.7/21.6	12.2	"
20/1.4	5.0/19.0	14.5	"
30/2.1	4.3/16.2	16.1	"
40/2.8	3.5/13.2	17.2	"

-SPECIFICATIONS SUBJECT TO CHANGE WITHOUT NOTICE.  
 -ALL DATA BASED ON TESTING WITH WATER.