

MODEL: 2088-403-143

### SPECIFICATIONS:

**MODEL NUMBER:** 2088-403-143

**PUMP DESIGN:** Positive Displacement 3 Chamber Diaphragm Pump

**CHECK VALVE:** (1-Way Operation) Prevents Reverse Flow

**CAM:** 3.5 Degree

**MOTOR:** Permanent Magnet, P/N 11-148-04, Thermally Protected

**VOLTAGE:** 12 VDC Nominal

**PRESSURE SWITCH:** Adjustable from 15-30 PSI. Factory Set @ 30 PSI Shut-Off,  
Turn On  $18 \pm 5$  PSI

**LIQUID TEMPERATURE:** 130 Degrees Fahrenheit (54 Degrees Centigrade) Max.

**PRIME:** Self-Priming Up To 7.0 Ft. Vertical,  
Max. Inlet Pressure 30 PSI (2.1 Bar)

**PORTS:** 1/2" - 14 Male Parallel Thread

**MATERIAL OF CONSTRUCTION:**

**PLASTICS-** Polypropylene

**VALVES-** Santoprene

**DIAPHRAGM-** Santoprene

**FASTENERS-** Zinc Plated Steel

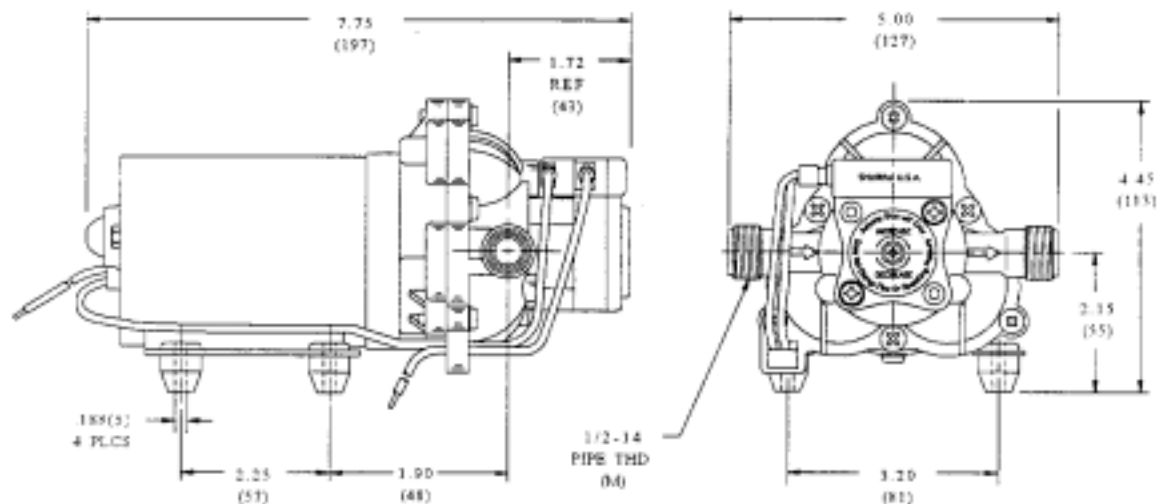
**NET WEIGHT:** 3.7 Lbs (1.68 Kg)

**DUTY CYCLE:** Intermittent (See Temp. Rise Chart)

**TYPICAL APPLICATIONS:** RV Potable Water

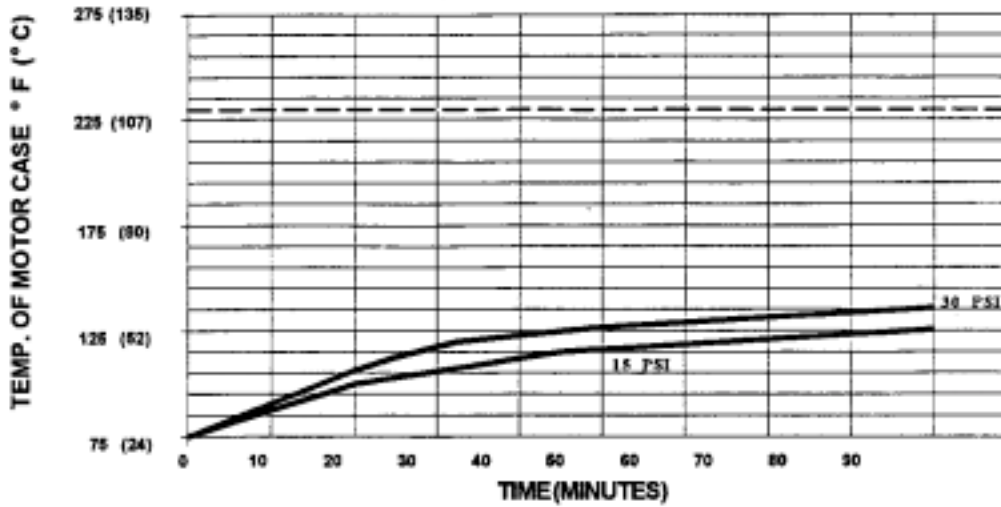
**APPROVALS:** I.A.P.M.O. Listed

### DIMENSIONS:



Diseño de b  
de 3 cámara  
Válvula de  
Motor: De in  
Voltaje: 12  
Presostato:  
Temperatur  
Aspiración:  
Presión de  
Conexiones  
Materiales  
Plá  
Vál  
Dia  
Peso neto:  
Ciclo de tra  
Aplicacione

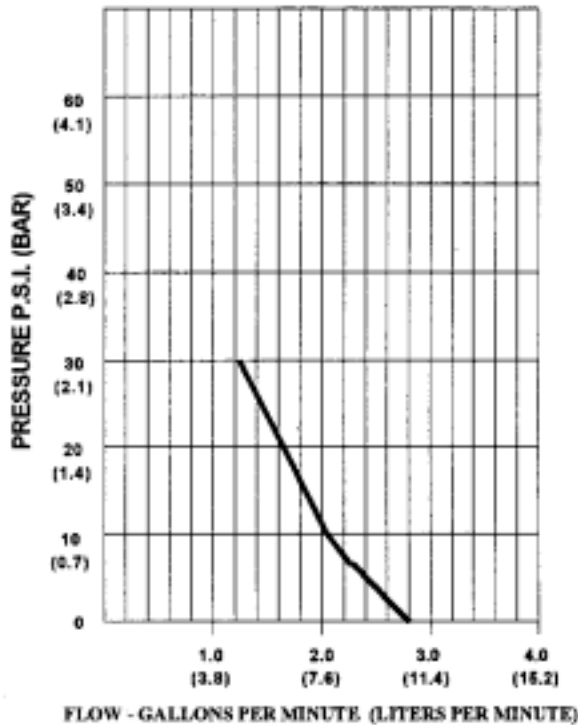
**TEMPERATURE RISE**



THIS GRAPH IS FOR USE AS A DESIGN GUIDE. IT IS BASED ON RUNNING CONTINUOUSLY WITH AN AMBIENT TEMPERATURE OF 70 °F IN STILL AIR. THE THERMAL BREAKER WILL OPEN WHEN THE CASE TEMPERATURE REACHES 230 °F.

[— TRIP POINT OF THERMAL PROTECTOR]

**TYPICAL PERFORMANCE**



PRESSURE (PSI)	FLOW (GPM/LIT)	RPM MIN/MAX	CURRENT (AMPS)	VOLTAGE (VOLTS)
OPEN	2.80/18.6	1780/1855	3.1	12 VDC
10	2.05/7.8	1730/1880	3.7	"
20	1.65/6.2	1670/1765	4.2	"
30	1.34/4.7	1635/1755	4.5	"

*-SPECIFICATIONS SUBJECT TO CHANGE WITHOUT NOTICE.  
-ALL DATA BASED ON TESTING WITH WATER.*